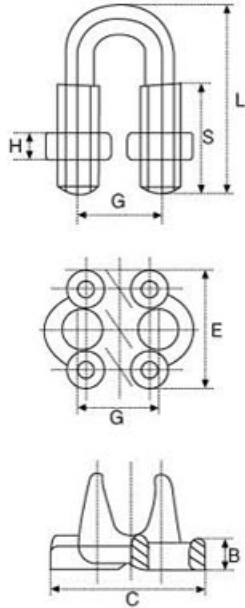


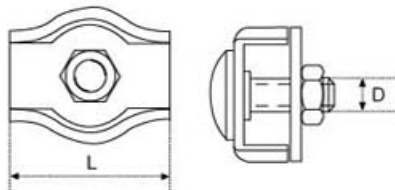


### JIS Type Wire Rope Clips 日式卡头



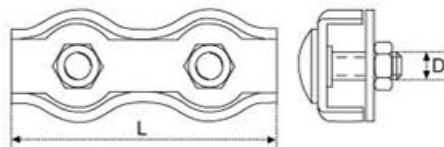
Size	A mm	B mm	C mm	D mm	E mm	G mm	H mm
2	3.5	15	12	7	3	22	13
3	3.5	17	13	8	3.5	24	15
4	4	20	16	10	3.5	26	16
5	5	25	20	12	4	30	18
6	6	29	24	14	5	35	20
8	6	36	31	18	6.5	40	20
10	7	45	35	22	8	50	28
12	8	51	39	26	10	60	35
14	9	53	45	28	10	65	40
16	10	60	48	32	11	75	45
18	11	62	53	34	11	80	50
20-22	12	78	62	44	15	100	60
24-25	13	86	68	48	16	110	65
26-28	14	94	75	54	18	120	70
30-32	15	98	79	58	18	130	75
33-38	16	120	93	70	22	150	85
40-45	19	136	100	80	24	175	95
47-50	21	150	115	89	26	195	100
56-60	25	170	128	101	29	240	115
63-70	27	190	142	115	31	270	130
73-80	29	212	156	127	34	300	150

### Simplex Wire Rope Clips 盒式单卡头



SIZE mm	L mm	D mm
2		M4
3	20	M4
4	21.5	M5
5	26	M6
6	30	M6
8	36	M8
10	42	M10

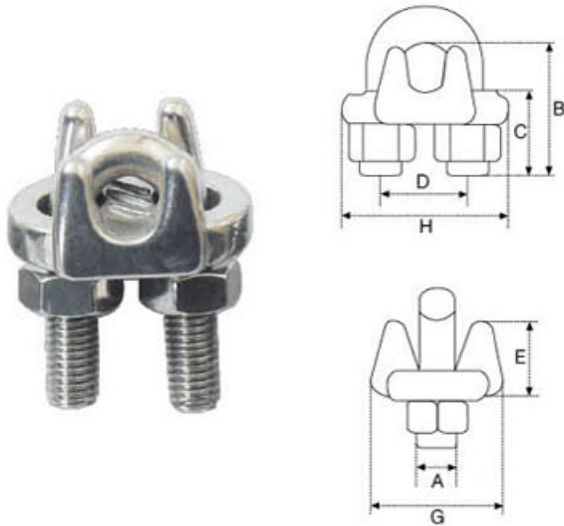
### Duplex Wire Rope Clips 盒式双卡头



SIZE mm	L mm	D mm
2	37	M4
3	40	M4
4	43	M5
5	52	M6
6	60	M6
8	72	M8
10	84	M10

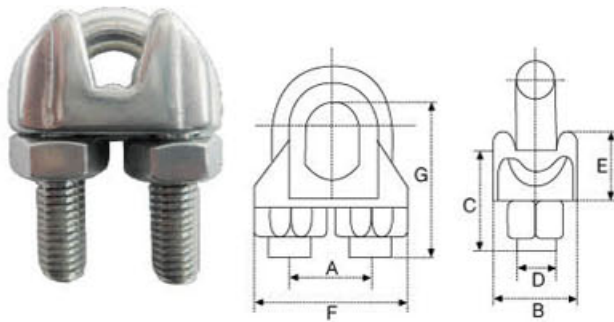


### US Type Wire Rope Clips 美式模锻卡头



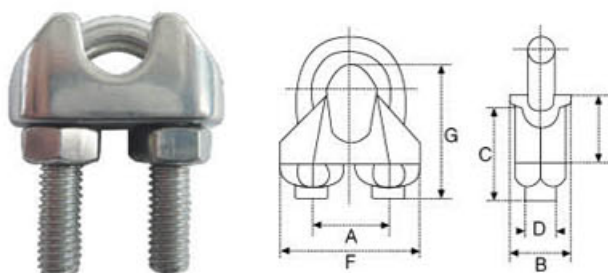
Size	A	B	C	D	E	G	H
	inch	mm	mm	mm	mm	mm	mm
1/8	3/16	18	11	12	10	20	23
3/16	1/4	24	14	15	12	23	29
1/4	5/16	26	15	19	16	30	36
5/16	3/8	35	19	22	18	33	43
3/8	7/16	38	19	25	23	41	49
7/16	1/2	47	25	30	26	46	58
1/2	1/2	47	25	30	28	48	58
9/16	9/16	57	32	33	31	52	63
5/8	9/16	60	32	33	34	52	63
3/4	5/8	70	36	38	35	57	72
7/8	3/4	79	41	44	40	62	80
1	3/4	89	46	47	45	66	88
1-1/8	3/4	98	51	51	48	71	91
1-1/4	7/8	108	54	59	56	80	105
1-3/8	7/8	118	59	60	59	80	106
1-1/2	7/8	125	60	66	62	87	113
1-5/8	1	135	60	70	68	92	121
1-3/4	1-1/8	149	70	78	73	95	133
2	1-1/4	165	76	84	86	113	148
2-1/4	1-1/4	181	84	98	97	114	160
2-1/2	1-1/4	197	86	105	108	114	164
2-3/4	1-1/4	211	89	111	127	127	171
3	1-1/2	233	98	121	133	175	192

### US Type Malleable Wire Rope Clips 美式玛钢卡头



Size	A	B	C	D	E	G	H
	inch	mm	mm	mm	mm	mm	mm
1/8	11	14	14	3/16-24	10.8	22	20
3/16	13.5	15	16	1/4-20	3	26	24
1/4	17	18.5	20	5/16-18	15	32	31.5
5/16	18.3	20	22	5/16-18	16	35	34
3/8	22.5	22	27	3/8-16	22	40.5	41.8
7/16	24	23	30	3/8-16	22	43	42.8
1/2	27	26	35	7/16-14	23.3	49	53.9
9/16	30	26.5	40	1/2-13	27	52.5	54.7
5/8	33	28.5	40	9/16-12	28	57.5	59.2
3/4	34.5	32	42	9/16-12	34	61	68.7
7/8	41	37	46	5/8-11	38	71	78
1	45.5	42	55	5/8-11	43	77.5	87.5

### DIN741 Wire Rope Clips 卡头



Size	A	B	C	D	E	G	H
	mm	mm	mm	mm	mm	mm	mm
3	9	10	12	4	10	21	16
4	10	10	12	4	10	22	17
5	11	11	13	5	10	23	19
6	13	12	15	5	11	26	23
8	16	14	19	6	15	30	28
10	19	18	22	8	17	34	34
12	20	19	22	8	18	36	36
13	24	23	30	10	21	42	45
14	25	23	30	10	22	44	47
16	29	26	33	12	26	50	51
19	32	29	38	12	30	54	63
22	37	33	44	14	34	61	71
26	41	35	45	14	37	65	81
30	48	37	50	16	43	74	94
34	52	42	55	16	50	80	104
40	58	45	60	16	55	88	124